

4

3

2

1

D

D

C

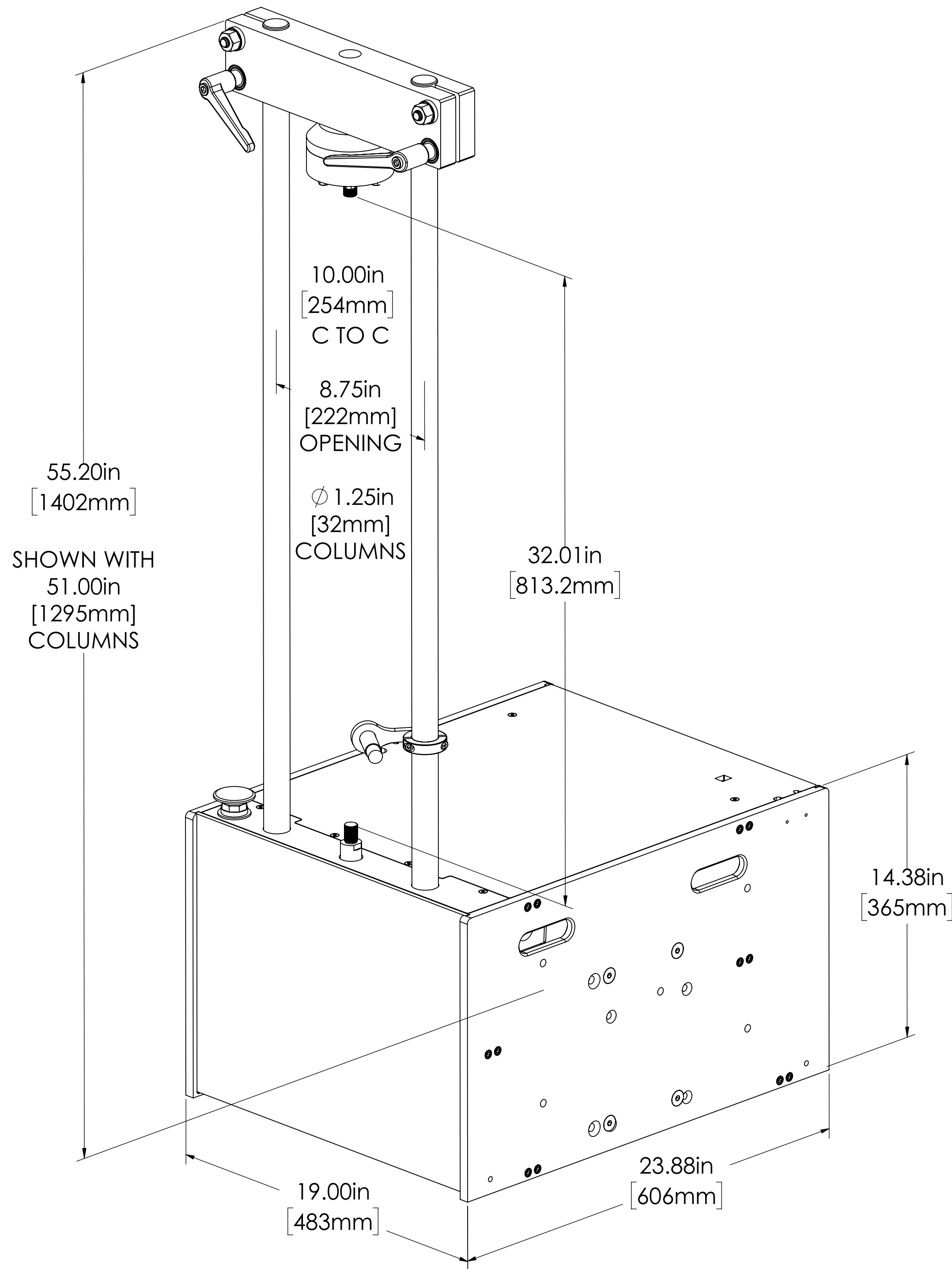
C

B

B

A

A



TITLE: RD 5 ASSEMBLY		DRAWING NAME: CTW-6N-001-000 RD5 ASSEMBLY	
MATERIAL: -		FINISH: -	
PART NUMBER: CTW-6N-001		REVISION: 000	
DATE: 20170728	DRAWN: PERMAN	CHECKED:	
SIZE: C	SCALE: 1:8	SHEET 4 OF 4	

PROPRIETARY AND CONFIDENTIAL.
 THE INFORMATION CONTAINED IN THIS
 DRAWING IS THE SOLE PROPERTY OF
 CAROLINA TEST WORKS. ANY
 REPRODUCTION IN PART OR AS A WHOLE
 WITHOUT THE WRITTEN PERMISSION OF
 CAROLINA TEST WORKS IS PROHIBITED.

DIMENSIONS ARE IN INCHES
 TOLERANCES:
 ANGULAR: XX
 .XX ± 0.01
 .XXX ± 0.005
 .XXXX ± 0.0005
 UNLESS OTHERWISE SPECIFIED
 DO NOT SCALE DRAWING