

4

3

2

1

D

D

C

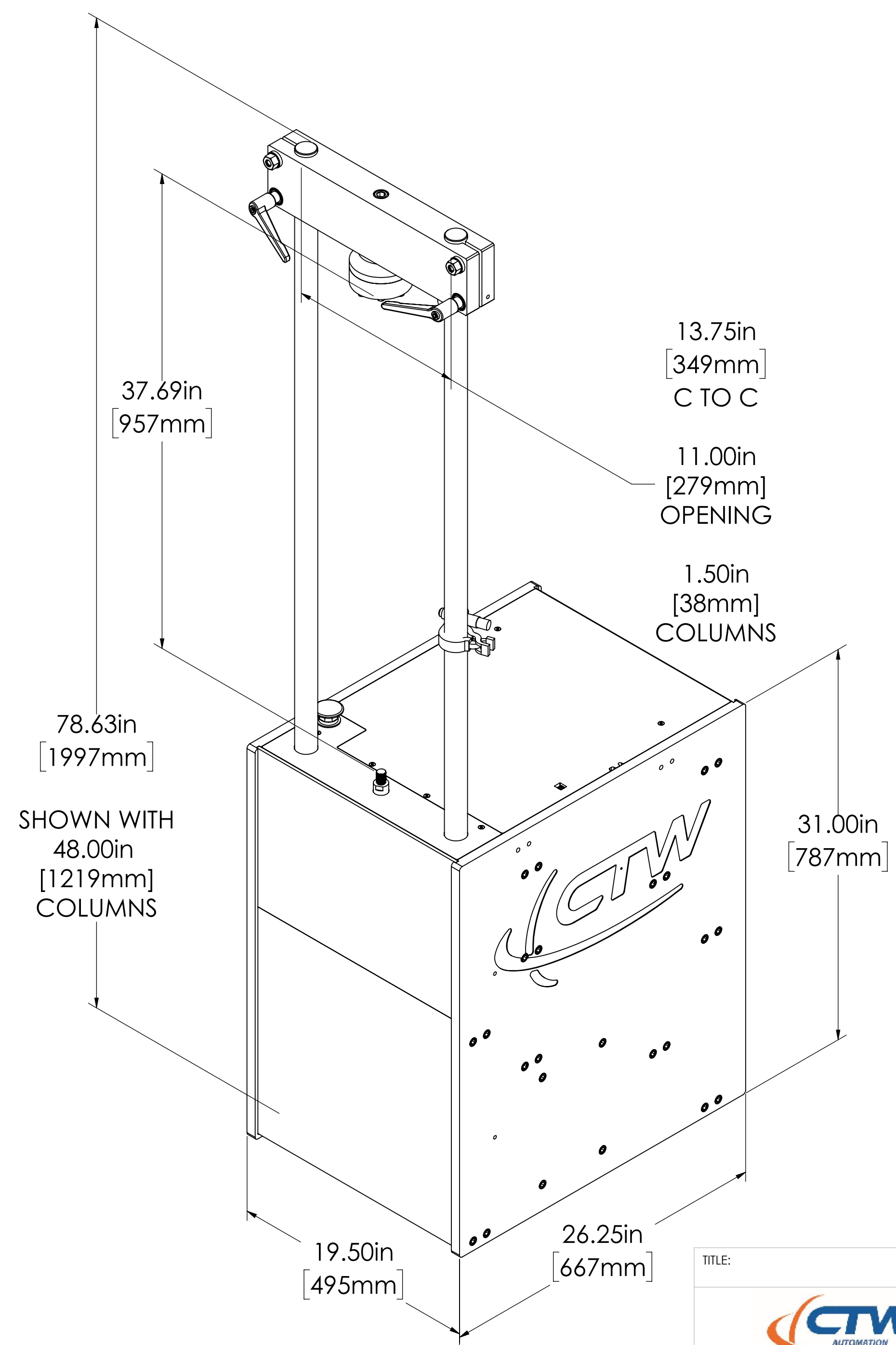
C

B

B

A

A



13.75in
[349mm]
C TO C

11.00in
[279mm]
OPENING

1.50in
[38mm]
COLUMNS

78.63in
[1997mm]
SHOWN WITH
48.00in
[1219mm]
COLUMNS

19.50in
[495mm]

26.25in
[667mm]

31.00in
[787mm]

TITLE: RD 7.5 ASSEMBLY	
DRAWING NAME: CTW-6K-001-000 RD7_5 ASSEMBLY	
MATERIAL: -	FINISH: -
PART NUMBER: CTW-6K-001	REVISION: 000
DATE: 20170728	DRAWN: PERMAN
SIZE: C	CHECKED: SHEET 3 OF 3



PROPRIETARY AND CONFIDENTIAL.
THE INFORMATION CONTAINED IN THIS
DRAWING IS THE SOLE PROPERTY OF
CAROLINA TEST WORKS. ANY
REPRODUCTION IN PART OR AS A WHOLE
WITHOUT THE WRITTEN PERMISSION OF
CAROLINA TEST WORKS IS PROHIBITED.

DIMENSIONS ARE IN INCHES
TOLERANCES:
ANGULAR:
XX ± 0.1
XXX ± 0.01
XXX ± 0.005
X.XXX ± 0.0005
UNLESS OTHERWISE SPECIFIED
DO NOT SCALE DRAWING

4

3

2

1